

12A-751-190 933R (2001)
Drive Assembly

Page 2 of 14

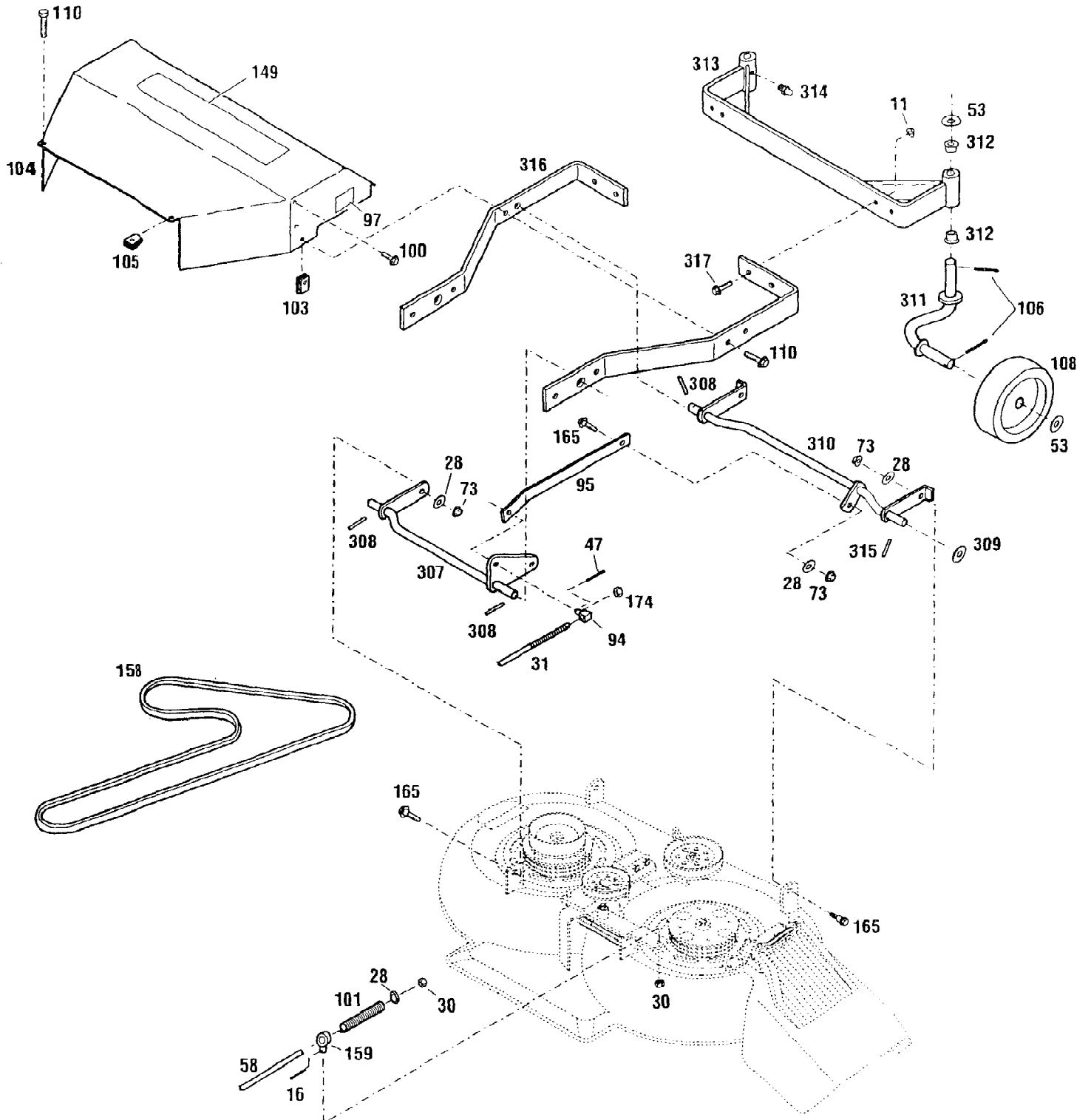
Ref #	Part Number	Qty	S/P/F	Description
1		1		Engine - Electric Start Refer to engine for model/type number.
		1		Engine - Recoil Start Refer to engine for model/type number.
2	1769904	1	/P	Engine Pulley
3	936-0171	1	/P	Lock Washer, 7/16
4	1740949	1	/P	Bolt, 7/16-20 x 1-3/4
5	1773599	1	/P	Washer, Nylon
7	1915475	1		Warning Decal
8	1766326	1		Oil Valve Cap
9	1768865	1	S	Oil Valve (Incl. Ref. 8)
10	751-3141-14	1	/P	Oil Drain Hose
11	1186393	5	/P	Flange Locknut, 3/8-16
12	1727379	4	/P	Pop Rivet, 3/16
13	1769870	1	/P	Flap
14	1769869015	1	S	Flap Bracket
15	1769885	1	/P	Lower Transmission Rod
16	1185147	8	S	Cotter Pin, 3/32 x 5/8
18	1890234	1	S	Flat Washer, 1/2
19	736-0567	5	/P	Flat Washer, 5/16
20	1711864	1	/P	Compression Spring
21	1763219	1	/P	Shoulder Bolt
23	1715538	2	/P	Nyliner, 1/2
25	1748393	1		Carriage Bolt, 3/8-16 x 1-3/4
26	1764920	1	S	Idler Arm
27	1756151	2	/P	Idler Pulley
28	936-3050	3	S	Flat Washer, 3/8
29	1715685	1	/P	Plastic Grip
30	1733398	1	S	Top Locknut, 3/8-16
31	1915831	1	/P	Lift Crank Assembly
32	710-0347	1	/P	Bolt, 3/8-16 x 1-3/4
33	1186389	4	/P	Flange Locknut, 1/4-20
36	936-0169	1	/P	Lock Washer, 3/8
39	1186347	4	S	Flange Lock Screw, 3/8-16 x 1
41	1769881	1	/P	Interlock Cam
42	1769877	1	/P	Lower Brake Rod
43	1702646	3	/P	Washer, Flat 1/2
44	1770361	1	/P	Interlock Latch
48	1725264	2	/P	Swivel Block
49	712-3007	2	/P	Jam Nut, 5/16-18
50	916-0231	2	/P	Retaining Ring
51	1708012	4	S	Flat Washer
53	1701447	A/R	/P	Special Washer As required
54	714-0168	2	/P	Square Key, 3/16 x 2-1/2
55		1		Transmission Assembly, (See Transaxle for breakdown)
56	1104436	1	S	Woodruff Key, 3/16 x 3/4
57	1732499	4	/P	Top Locknut, 5/16-18
58	1770247	1	S	Lower Blade Rod
60	1770326	1	/P	Transaxle Pulley
61	1118808	1	/P	Retaining Ring

12A-751-190 933R (2001)
Drive Assembly

Page 3 of 14

Ref #	Part Number	Qty	S/P/F	Description
62	1107381	3	S	Flat Washer, 1/4
63	1100002	1	S	Screw, 1/4-28 x 3/4
64	1186391	1	S	Flange Locknut, 5/16-18
65	912-0375	2	S	Locknut, 3/8-16
66	936-0329	1	/P	Lock Washer, 114
67	910-3005	1	S	Screw, 3/8 x 1-1/4
68	1769888	1	/P	Upper Blade Rod
69	1768140	1	S	Transmission Arm
70	1767837	1	/P	Ball Joint
71	1768628	1	/P	Shift Link Rod
72	1769873	1	/P	Upper Transmission Rod
75	1768624	1	/P	Spring Attachment Rod
76	1768636	1	/P	Extension Spring
78	1769872	1	/P	Upper Brake Rod
79	710-0176	2	/P	Screw, 5/16-18 x 2-3/4
80	1769874	1	/P	Shift Rod
81	1769875	1		Clutch Arm Pivot
83	1768630001	1	/P	Shift Rod Bracket
84	1186308	2	S	Flange Lock Screw, 1/4-20 x 1/2
85	1769852065	1	S	Backplate
87	1770334	1	/P	V-Belt
90	710-1007	1	/P	Thread Forming Screw, 3/8-16 x 1-1/2
91	1762042	3		Thread Forming Screw, 3/8-16 x 1
102	712-3006	1	/P	Hex Nut, 1/4-20
159	1769038	2		Eye Bolt
167	1769882	1	/P	Pivot Shaft Assembly
169	914-0115	3	/P	Cotter Pin
168	1904804001	1		Brake Arm
170	1187961	1	/P	Drive Pin, 5/32 x 1
171	1730851	1	/P	Clevis Pin, 1/2 x 1-1/4
172	1724491	2	S	Screw, 5/16-18 x 3/4
177	1740496	2	S	Flange Screw, 5/16-18 x 3/4
302	1915737	1	S	Frame Weldment Assy (Incl. Ref. 7)
303	1768180	2	/P	Wheel Rim
304	1774129	2	S	Tire
305	1718086	2	S	Valve Stem
400	97092	1	S	Loctite 242, 0.02 oz. Tube

12A-751-190 933R (2001)
Front Frame Assembly



12A-751-190 933R (2001)
Front Frame Assembly

Page 5 of 14

Ref #	Part Number	Qty	S/P/F	Description
11	1186393	9	/P	Flange Locknut, 3/8-16
16	1185147	2	S	Cotter Pin, 3132 x 5/8
28	936-3050	6	S	Flat Washer, 3/8
30	1733398	2	S	Locknut,3/8-16
31	1915831	1	/P	Lift Crank
47	914-0474	1	/P	Cotter Pin
53	1701447	4	/P	Special Washer
58	1770247	1	S	Lower Blade Rod
73	1185506	5	S	Flange Locknut, 3/8-16
94	1768231	1	/P	Pivot Block
95	1769521001	1	/P	Leveler Bar
97	1915625	1	S	Cutting Height Decal
100	1769344	8	S	Tap Screw, #8 x 3/8
101	1769007	1	/P	Compression Spring
103	1185498	2	S	Speed Nut, 5/16-18
104	1764995080	1		Belt Guard
105	1185873	2	S	Speed Nut, 5/16-18
106	1100352	4	/P	Cotter Pin
108	1743891	2	S	Gage Wheel
110	1186329	2	S	Flange Lock Screw, 5/16 x 3/4
149	1917608	1		Logo Decal
158	1769767	1	/P	V-Belt
159	1769038	1		Eye Bolt
165	1754125	5	/P	Shoulder Bolt
174	1770355	1	S	Toplock Nut
307	1769903015	1	S	Rear Lift Assembly
308	1185469	2	S	Roll Pin, 1/4 x 1
309	1107386	1	S	Flat Washer, 5/8
310	1770248015	1	S	Front Lift Assembly
311	1768477015	2	S	Spindle Assembly
312	1764140	4	/P	Flange Bearing
313	1769743015	1	S	Gage Support
314	937-0146	2	/P	Grease Fitting
315	1185759	2	/P	Drive Pin, 1/4 x 3
316	1769899015	2	S	Mower Support
317	1186347	4	S	Whizlock Screw, 3/8-16 x 1

12A-751-190 933R (2001)
Handlebar And Console Assembly

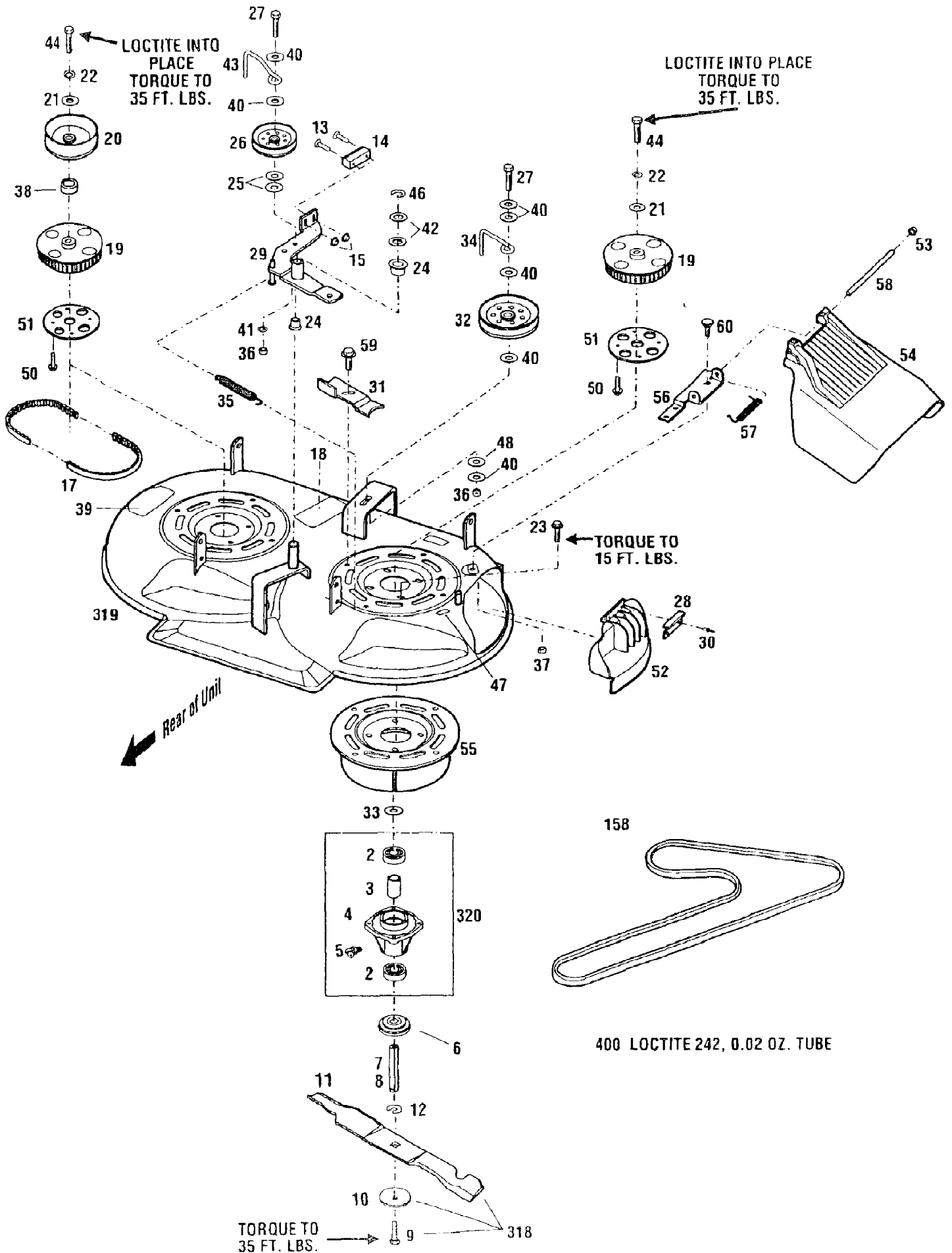
Page 7 of 14

Ref #	Part Number	Qty	S/P/F	Description
11	1186393	1	/P	Flange Locknut, 3/8-16
16	1185147	2	S	Cotter Pin, 3/32 x 5/8
17	1721252	1		J-Clip
19	1107382	4	/P	Flat Washer, 5/16
33	1186389	2	/P	Flange Locknut, 1/4-20
43	1702646	1	/P	Flat Washer, 1/2
68	1769888	1	/P	Upper Blade Rod
72	1773607	1	/P	Upper Transmission Rod
78	1769872	1	/P	Upper Brake Rod
80	1769874	1	/P	Shift Rod
82	1724492	2		Thread Cut. Screw, 1/4-20 x 1/2 Used on Model 933E
84	1186308	2	S	Flange Lock Screw, 1/4-20x 1/2
92	1703051	1	/P	Shoulder Bolt
96	1185279	1	/P	Roll Pin, 1/4 x 2-1/4
97	1915545001	2	/P	Brace, Handlebar
109	1111601	2	/P	Hex Screw, 1/4-20 x 1-3/4
110	1186329	4	S	Flange Lock Screw, 5/16 x 3/4
111	1770445001	1	/P	Control Handle
112	1768452	1		Operator Presence Control Decal
113	1915793	4	S	Hex Screw, 1/4-20 x 1-3/4, Grade 8
114	912-0291	2	/P	Locknut, 1/4-20
115	1764922001	1	/P	Left Handlebar
116	9126	2	S	Handle Grip
117	1773605001	1	/P	Control Handle
118	1717897	1	/P	Hair Pin, 5/64
119	1768191	1	S	Throttle Control
120	1737118	1	S	Knob
121	1737041	1	/P	Handle Grip
122	1715716	1	/P	Nylon Bushing
123	1721492	1	/P	Compression Spring
124	936-0326	1	/P	Flat Washer, 1 /2
125	1768456	1		Warning Decal Used on Model 933R
	1768457	1		Warning Decal Used on Model 933E
126	1917609	1		Logo Decal Used on Model 933R
	1917610	1		Logo Decal Used on Model 933E
129	1908112P	1	S	Ignition Switch Used on Model 933E
130	1764984	1	S	Handle Grip
131	1768223	1	/P	Mower Engage Lever
134	1752137P	1	/P	Solenoid Used on Model 933E
135	1747027	1		Thread-Cut. Screw, 1/4-20 x 1-1/2 Used on Model 933E
136	1768464	1	S	Regulator
137	1749778	2		Spacer Used on Model 933E
138	1769080	2	/P	Grommet Used on Model 933E
139	1915696065	1		Battery Bracket Used on Model 933E
140	1915750	1	S	Battery Used on Model 933E
141	1769081	1		Battery Pad Used on Model 933E
142	725-0157	5	/P	Plastic Tie
143	1764923001	1	/P	Right Handlebar
145	1915758	1	/P	Wiring Harness Used on Model 933E
146	1915759	1	/P	Wiring Harness Used on Model 933E

12A-751-190 933R (2001)
Handlebar And Console Assembly

Page 8 of 14

Ref #	Part Number	Qty	S/P/F	Description
148	1734364	1		Boot Used on Model 933E
153	1768449	1	/P	Battery Charger Used on Model 933E
172	1724491	1	S	Screw, 5/16-18 x 3/4"
300	1753986	1	/P	Ignition Key
301	1915734	1		Console Assembly (Incl. Ref. 125); Used on Model 933R
	1915735	1		Console Assembly (Incl. Ref. 125); Used on Model 933E
403	~N/A	1		Nut, Ignition Switch



12A-751-190 933R (2001)
Mower Deck Assembly

Page 10 of 14

Ref #	Part Number	Qty	S/P/F	Description
2	1185574	4	S	Ball Bearing
3	1746869	2	/P	Spacer
4	1765092	2	S	Mower Spindle
5	1731504	2	S	Grease Fitting
6	1765029	2	/P	Blade Spacer
7	1766061	1	S	Right Spindle Shaft
8	1768169	1	S	Left Spindle Shaft (long)
9	1765196	2	/P	Screw, 7/16-14 x 1
10	1765197	2	/P	Belleville Washer
11	1910917	2	/P	Blade, 33" Mulching
12	1185649	2	/P	Retaining Ring
13	1771081	2	/P	Flat Head Screw, #10-24 x 1-1/4
14	1771083	1	/P	Brake Pad
15	912-0272	2	S	Nylon Locknut #10-24
17	1773600	1	/P	Toothed Drive Belt
18	1768435	1		Caution Decal
19	1774220	2	S	Cogged Pulley, 56T
20	1769362	1	S	Drive Pulley
21	1736484	2	S	Flat Washer 7/16
22	936-0171	2	/P	Lock Washer, 7/16
23	1773523	8	S	Flange Lock Screw, 5/16-18 x 1
24	1764140	2	/P	Flange Bushing
25	1701055	2	/P	Flat Washer
26	1762794	1	S	Idler Pulley
27	1100062	2	/P	Hex Head Capscrew, 3/8-16 x 2-1/2
28	1911054	1		Adapter Trim
29	1770803	1	/P	Idler Arm
30	1186059	2		Pop Rivet
31	1911021001	1	/P	Belt Tension Adjustment Bracket
32	1749911	1	/P	Idler Pulley
33	1766787	2	/P	Special Thrust Washer
34	1720717	1	/P	Belt Guide
35	1756595	1	/P	Extension Spring
36	912-3017	2	/P	Nut, 3/8-16
37	1732499	1	/P	Locknut, 5/16-18
38	1723996	1	/P	Pulley Spacer
39	1739687	1	/P	Danger Decal
40	1768818	7	S	Flat Washer, 3/8 x 3/4
41	936-0169	1	/P	Lock Washer, 3/8
42	1701447	2	/P	Flat Washer
43	1764135	1	/P	Belt Guide
44	1769397	2	/P	Screw, 7/16-14 x 1-1/4
46	916-0101	1	/P	Retaining Ring
47	1768451	1	S	Warning Decal
48	1185715	1	/P	Pyramid Washer, 3/8
50	1771925	8	S	Triplask Screw, 1/4-20 x 5/8
51	1771922001	2	/P	Sprocket Plate
52	1773642	1	S	Mulcher Cover, Fold-Up Style (Incl. Ref. 28 and 30)
53	1727342	2	S	Cap
54	1910931	1	S	Discharge Chute
55	1910948001	2	S	Weldment Doubler

12A-751-190 933R (2001)
Mower Deck Assembly

Page 11 of 14

Ref #	Part Number	Qty	S/P/F	Description
56	1910951001	1	/P	Bracket, Chute Hinge
57	1910971	1	/P	Spring, Discharge Chute
58	1910972	1	/P	Pin, Discharge Chute
59	1740496	8	S	Screw, Thread-Forming
60	1186098	1	/P	Bolt, Carriage, 3/8-18 x 3/4
158	1769767	1	/P	V-Belt
318	1915787	1		Mulching Blade Kit (Incl. Refs. 9, 10 and 11)
319	1915739	1		Mower Deck Assembly (Incl. Refs. 18, 39 and 47)
320	1769048	2	S	Mower Spindle Assembly (Incl. Refs. 2, 3, 4 and 5)
400	97092	1	S	Loctite 242, 0.02 oz. Tube

12A-751-190 933R (2001)
Transaxle Assembly

Page 13 of 14

Ref #	Part Number	Qty	S/P/F	Description
1	TC-772135	1		Transaxle Cover (Replaces P/N 772113)
1	TC-772135	1		Transaxle Cover
2	TC-780086A	2	/P	Needle Bearing
3	TC-770110	1	S	Transaxle Case
4	TC-776300	1		Countershaft
6	TC-778281	1		Spur Gear (16 teeth)
7	TC-778122A	1		Spur Gear (22 teeth)
8	TC-792160	4	S	Shift Key
9	TC-784373	1		Shift Collar
10	TC-784365A	1	/P	Shift Rod & Fork
11	TC-778261	1		Bevel Gear & Bearing (Incl. 174)
12	TC-778262	1		Bevel Pinion (14 teeth)
13	TC-778221	2		Bevel Gear (16 teeth)
14	TC-778131	2	/P	Differential Pinion
15	TC-778260	1		Ring Gear
16	TC-786150	1		Bearing Strip
17	TC-786139	1		Drive Pin
18	TC-786147	1		Neutral Spacer
18A	TC-786159	1		Neutral
20	TC-792077A	1	/P	Ball, 5/16" dia.
22	TC-792079	1	/P	Spring
23	TC-788061	2	/P	Seal Ring
25	TC-792073	17	S	Screw, 1/4-20 x 1-1/4"
26	TC-792125	4		Retaining Ring
27	TC-792035	1	/P	Retaining Ring
28	TC-788040	1	/P	Retaining Ring
29	TC-780072	6	/P	Washer
30	TC-780108	3	/P	Washer
31	TC-780001	2		Washer
32	TC-792001	1	/P	"O" Ring
33	TC-788076	1		"O" Ring
34	TC-780159	1		Bushing
36	TC-790071	1		Brake Disk
37	TC-790007	1	/P	Brake Pad Plate
38	TC-799021	2	S	Brake Pad (pkg. of 2)
39	TC-786026	2	/P	Dowel Pin
40	TC-792076A	1	S	Washer
?41	TC-790045	1		Brake Lever
41A		1		UNKNOWN
42	TC-792073A	2	/P	Screw, 1/4-20 x 1-1/4"
43	TC-792075	1	S	Locknut,5/16-24
44	TC-790025	1		Brake Pad Holder
46	TC-786086	1		Brake Lever Bracket
47	TC-774747	1		Axle (16-1/4" long)
48	TC-774888	1		Axle (11" long)
49	TC-778124A	1	/P	Spur Gear (30 teeth)
50	TC-778123A	1	/P	Spur Gear (25 teeth)
51	TC-778122A	1		Spur Gear (22 teeth)
52	TC-778273	1		Spur Gear (19 teeth)
54	TC-778263	1		Spur Gear (11 teeth)
56	TC-778126A	1	/P	Spur Gear (20 teeth)
57	TC-778127A	1	/P	Spur Gear (25 teeth)
58	TC-778128A	1		Spur Gear (20 teeth)

12A-751-190 933R (2001)
Transaxle Assembly

Page 14 of 14

Ref #	Part Number	Qty	S/P/F	Description
59	TC-778129A	1		Spur Gear (30 teeth)
61	TC-778265	1		Spur Gear (34 teeth)
65	TC-780162	1		Washer
65A	TC-780160	2		Washer
66	TC-776299	1		Input Shaft
67	TC-776352	1		Shifter & Brake Shaft
69	TC-780161	1		Washer
71	TC-788069	1		Square Cut Ring
76	TC-780090	1		Washer
77	TC-788078A	1		Inverted Retaining Ring (pkg. of 2)
79	TC-792144	1		Spring
80	TC-790063A	1		Brake Bracket
85	TC-792137	2	S	Lubrication Fitting
90	TC-788067B	1	S	Grease (32 oz. Bottle Bentonite grease)
150	TC-510334	1	/P	Gasket Eliminator (Loctite #515)
161	TC-776302	1		Reverse Idler
174	TC-780085	1		Needle Bearing
	772113	1		Transaxle Cover